

Ikshu XFP - 10G – LR

Features

- ❖ Compliant with 802.3ae 10GBase-LR/LW Ethernet standard
- ❖ Compliant with 10GFC 1200-SM-LL-L Fiber Channel standard
- ❖ Compliant with XFP MSA INF-8077i
- ❖ Differential PECL reference clock input
- ❖ Duplex LC connector
- ❖ Single power supply 3.3V
- ❖ TTL signal detect indicator
- ❖ Hot Pluggable
- ❖ Class 1 laser product complies with EN 60825-1



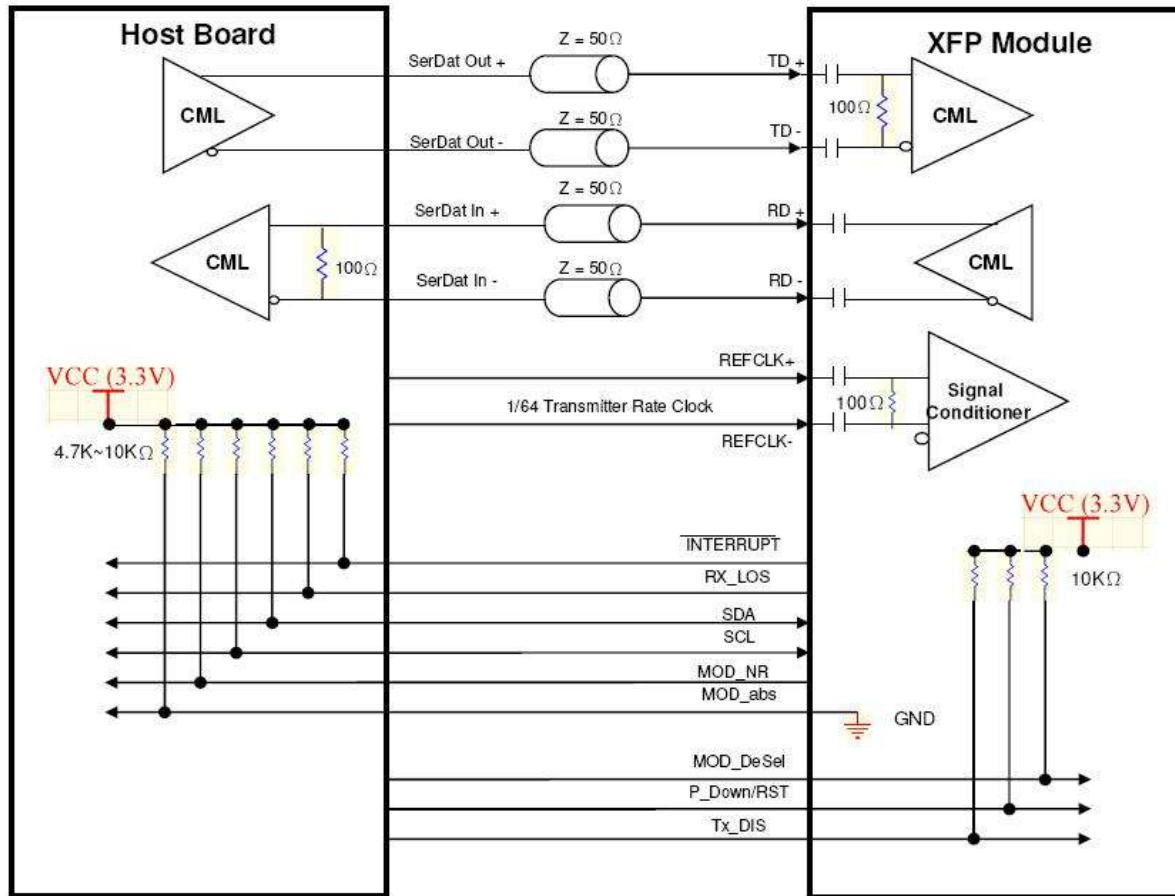
Absolute Maximum Ratings

Parameter	Symbol	Minimum	Maximum	Unit
Storage Temperature	T _S	-40	85	°C
Supply Voltage	V _{CC}	-0.5	4.0	V
Input Voltage	V _{IN}	-0.5	V _{CC}	V

Recommended Operating Environment

Parameter	Symbol	Minimum	Maximum	Unit
Power Supply Voltage	T _C	0	70	°C
Storage Temperature	V _{CC}	3.1	3.5	V
Supply Current	I _{TX} + I _{RX}		500	mA

Block Diagram



Ordering Information

Part Number	Type	Wavelength	Voltage	Temperature
Ikshu XFP – 10G – LR	Singlemode	1310nm	3.3V	0°C to 70°C

TEXONIC

New No: 72 Royapettah High Road,
Royapettah, Chennai-600014.
Tamil Nadu, India.
PH-044-42118608

Email: networking@texonic.com
Website: www.texonic.com